

ENCLOSURES AND DISTRIBUTION BOARDS FOR SPECIFIC STANDARDS

40 CDe - Surface-mounting enclosures - Spanish standard

TECHNICAL CHARACTERISTICS

Standard: IEC 60670-1; IEC 60670-24

Degree of protection: IP40

Protection against indirect contact: double insulation - (•)

Installation temperature: max. +60°C; min. -25°C

Material: technopolymer GW PLAST

Impact resistance: IK 08

Heat resistance: thermo-pressure with ball 70°C

Resistance to abnormal heat and fire: Glow wire test 650°C

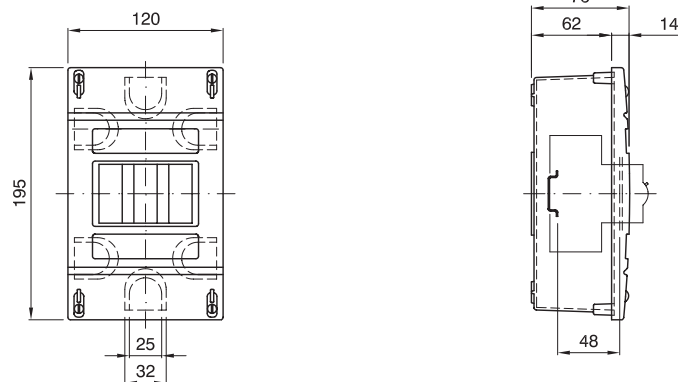
(•) Complete double insulation, in accordance with EN 61140 Standard, obtainable with screwcaps (GW 44 622 or GW 44 623) or resin fixing brackets (GW 44 621).

BEHAVIOUR WITH CHEMICAL AND ATMOSPHERIC AGENTS

Saline solution	Acids		Bases		Solvents				Mineral oil	UV rays
	Concentrated	Diluted	Concentrated	Diluted	Hexane	Benzol	Acetone	Ethyl alcohol		
Resistant	Not resistant	Limited resistance	Limited resistance	Not resistant	Limited resistance	Not resistant	Not resistant	Limited resistance	Limited resistance	Resistant

Dimension tables

SURFACE-MOUNTING ENCLOSURES WITHOUT DOOR - IP40



40 CDe - Flush-mounting enclosures - Spanish standard

TECHNICAL CHARACTERISTICS

Standard: IEC 60670-1; IEC 60670-24

Degree of protection: IP40

Protection against indirect contact: double insulation - (*)

Installation temperature: max. +60°C; min. -15°C

Material: technopolymer GW PLAST

Impact resistance: IK 07

Heat resistance: thermo-pressure with ball 70°C

Resistance to abnormal heat and fire: Glow wire test 650°C

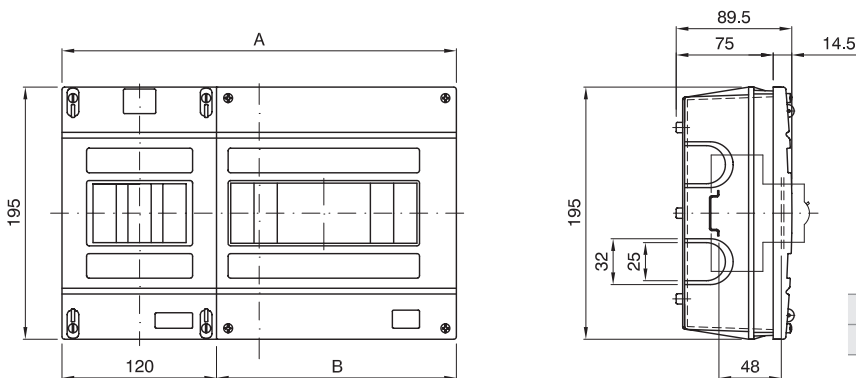
(*) Complete double insulation, in accordance with EN 61140 Standard.

BEHAVIOUR WITH CHEMICAL AND ATMOSPHERIC AGENTS

Saline solution	Acids		Bases		Solvents				Mineral oil	UV rays
	Concentrated	Diluted	Concentrated	Diluted	Hexane	Benzol	Acetone	Ethyl alcohol		
Resistant	Not resistant	Limited resistance	Limited resistance	Not resistant	Limited resistance	Not resistant	Not resistant	Limited resistance	Limited resistance	Resistant

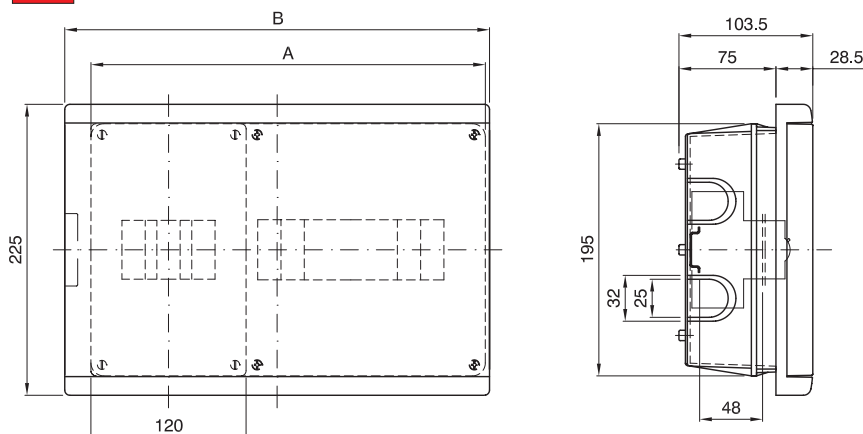
Dimension tables

SURFACE-MOUNTING ENCLOSURES WITHOUT DOOR - IP40



		Dimensions	
	Code	A	B
4+8M	GW 40 331	305	185
4+12M	GW 40 332	372	252

SURFACE-MOUNTING ENCLOSURES WITHOUT DOOR - IP40



		Dimensions	
	Code	A	B
4+8M	GW 40 336 GW 40 338	305	328.5
4+12M	GW 40 337 GW 40 339	372	400

ENCLOSURES AND DISTRIBUTION BOARDS FOR SPECIFIC STANDARDS

40 CDe - Surface-mounting enclosures and boards - German standard

TECHNICAL CHARACTERISTICS

Standard: IEC 60670-1; IEC60670-24; DIN VDE 0603-1

Degree of protection: IP65

Protection against indirect contact: double insulation - □ (•)

Installation temperature: max. +60°C; min. -25°C

Material: technopolymer GW PLAST

Impact resistance: IK 07

Heat resistance: thermo-pressure with ball 70°C

Resistance to abnormal heat and fire: Glow wire test 750°C

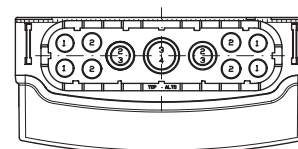
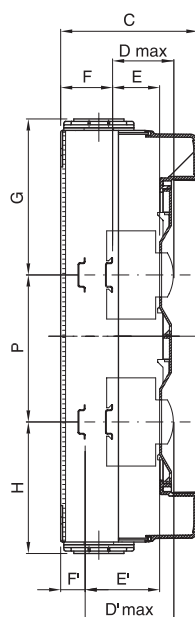
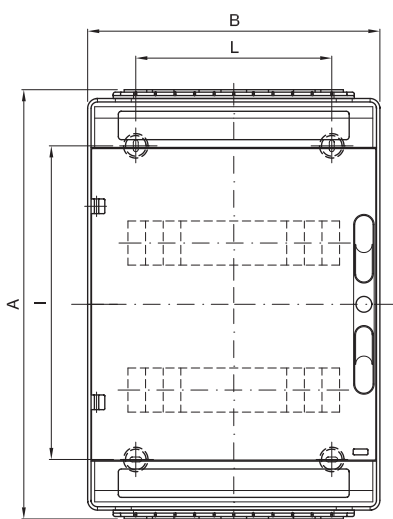
(•) Complete double insulation, in accordance with EN 61140 Standard, obtainable with screwcaps (GW 44 622 or GW 44 623) or resin fixing brackets (GW 44 621).

BEHAVIOUR WITH CHEMICAL AND ATMOSPHERIC AGENTS

Saline solution	Acids		Bases		Solvents				Mineral oil	UV rays
	Concentrated	Diluted	Concentrated	Diluted	Hexane	Benzol	Acetone	Ethyl alcohol		
Resistant	Not resistant	Limited resistance	Limited resistance	Not resistant	Limited resistance	Not resistant	Not resistant	Limited resistance	Limited resistance	Resistant

Dimension tables

ENCLOSURES WITH SMOKED TRANSPARENT DOOR - IP65



Diameter of flange ducts			
1	2	3	4
M16	M20	M25	M32

	Code	Dimensions			Modular assembly									Fixing		
		A	B	C	B	E	F	G	H	D	D'max	E'	F'	NR	I	L
12M	GW 40 113 GW 40 123	278						126.5	151.5	/					161	
24M	GW 40 114 GW 40 124	438	298	140	75	48	48	156.5	131.5	150	102	75	21	4	320	200
36M	GW 40 115 GW 40 125	588						156.5	131.5	150					494	

ENCLOSURES AND DISTRIBUTION BOARDS FOR SPECIFIC STANDARDS

40 CDe - Flush-mounting enclosures - German standard

TECHNICAL CHARACTERISTICS

Standard: IEC 60670-1; IEC60670-24; DIN VDE 0603-1; DIN 43871

Degree of protection: IP40

Protection against indirect contact: double insulation - (*)

Installation temperature: max. +60°C; min. -15°C

Material: technopolymer GW PLAST

Impact resistance: IK 07

Heat resistance: thermo-pressure with ball 70°C

Resistance to abnormal heat and fire: Glow wire test 650°/850°C

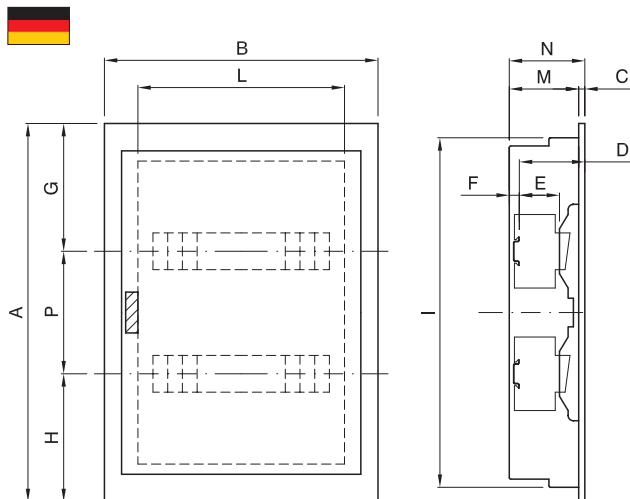
(*) Complete double insulation, in accordance with EN 61140 Standard.

BEHAVIOUR WITH CHEMICAL AND ATMOSPHERIC AGENTS

Saline solution	Acids		Bases		Solvents				Mineral oil	UV rays
	Concentrated	Diluted	Concentrated	Diluted	Hexane	Benzol	Acetone	Ethyl alcohol		
Resistant	Not resistant	Limited resistance	Limited resistance	Not resistant	Limited resistance	Not resistant	Not resistant	Limited resistance	Limited resistance	Resistant

Dimension tables

ENCLOSURES FOR MASONRY OR PLASTERBOARD WALLS - BLANK DOOR AND METAL FRAME - IP40



	Code	Dimensions			Modular assembly						Fixing			
		A	B	C	N	D	E	F	G	H	D	I	L	M
12M	GW 40 151 GW 40 161	338	335	7.5	92.5	76	48	16.5	188	150	125	303	253	85
24M	GW 40 152 GW 40 162	463	335	7.5	92.5	76	48	16.5	188	150	125	428	253	85
36M	GW 40 153 GW 40 163	588	335	7.5	92.5	76	48	16.5	188	150	125	553	253	85
48M	GW 40 154 GW 40 164	713	335	7.5	92.5	76	48	16.5	188	150	125	678	253	85

ENCLOSURES AND DISTRIBUTION BOARDS FOR SPECIFIC STANDARDS

40 CDe - Modular surface-mounting enclosures - French standard

TECHNICAL CHARACTERISTICS

Standard: IEC 60670-1; IEC 60670-24; NF C 61-910

Degree of protection: IP30/40

Protection against indirect contact: double insulation - (□) (•)

Installation temperature: max. +60°C; min. -25°C

Material: technopolymer GW PLAST

Impact resistance: IK 07

Heat resistance: thermo-pressure with ball 70°C

Resistance to abnormal heat and fire: Glow wire test 750°C

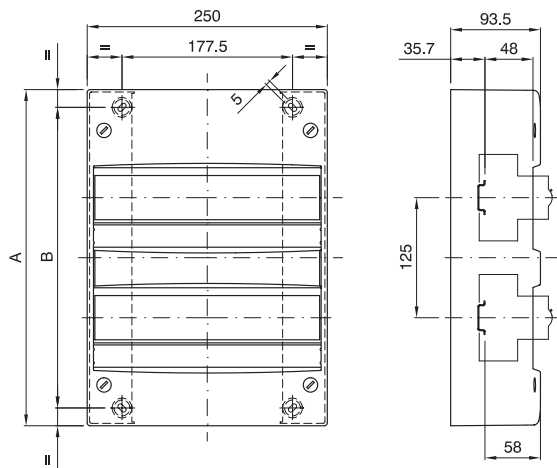
(•) Complete double insulation, in accordance with EN 61140 Standard, obtainable with screwcaps (GW 44 622 or GW 44 623) or resin fixing brackets (GW 44 621).

BEHAVIOUR WITH CHEMICAL AND ATMOSPHERIC AGENTS

Saline solution	Acids		Bases		Solvents				Mineral oil	UV rays
	Concentrated	Diluted	Concentrated	Diluted	Hexane	Benzol	Acetone	Ethyl alcohol		
Resistant	Not resistant	Limited resistance	Limited resistance	Not resistant	Limited resistance	Not resistant	Not resistant	Limited resistance	Limited resistance	Resistant

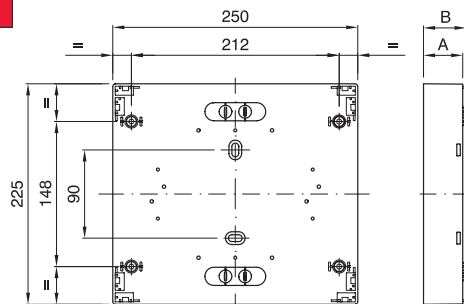
Dimension tables

ENCLOSURES WITHOUT DOOR - IP30



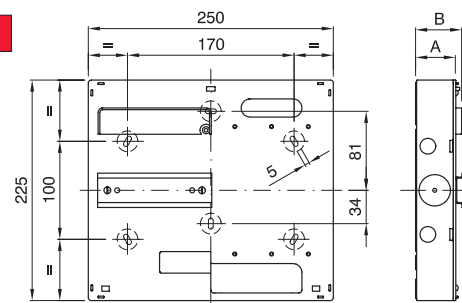
	Code	Dimensions		Fixing
		A	B	
13M	GW 40 501	225	188	
26M	GW 40 502	350	313	
39M	GW 40 503	475	438	
52M	GW 40 504	600	563	

SUPPORTING BASES WITHOUT DOOR FOR THE EDF CONNECTION ONE-WAY SWITCH - LEADABLE



Code	Dimensions	
	A	B
GW 40 511	40	43.5
GW 40 512	55	58.5

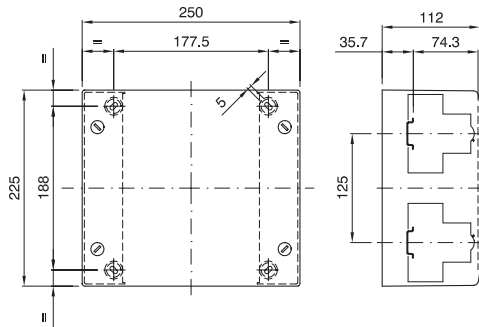
SUPPORTING BASES WITHOUT DOOR FOR THE EDF CONNECTION ONE-WAY SWITCH AND THE SINGLE-PHASE ELECTRONIC METER - LEADABLE



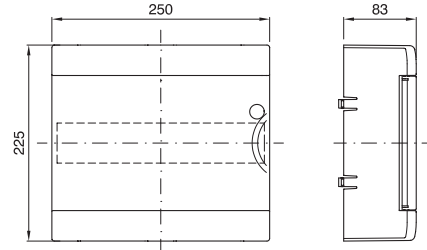
Code	Dimensions	
	A	B
GW 40 513	40	47
GW 40 514	55	62

ENCLOSURES AND DISTRIBUTION BOARDS FOR SPECIFIC STANDARDS

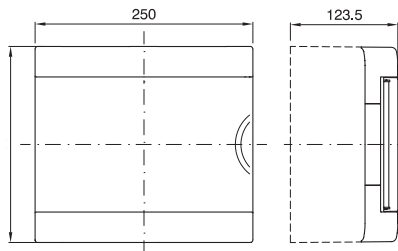
CONTAINER FOR CABLE SERVICES (T.R.I.) - IP40



MODULAR ENCLOSURE FINISHING DOOR - FRENCH STANDARD

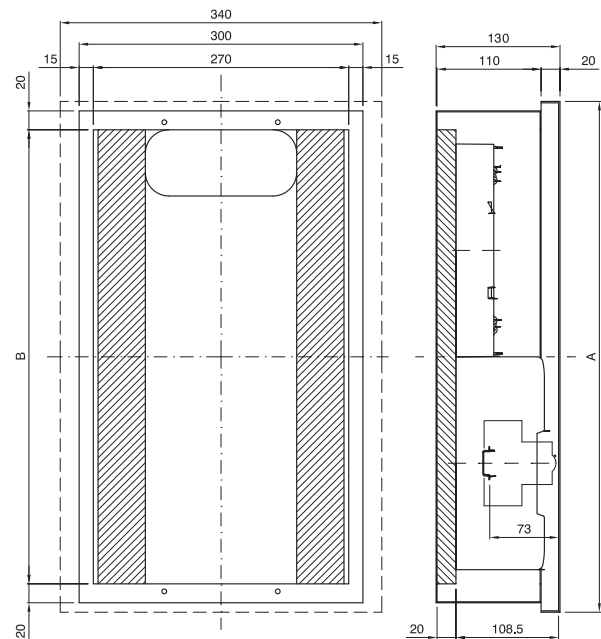


MODULAR ENCLOSURE FINISHING DOOR - FRENCH STANDARD



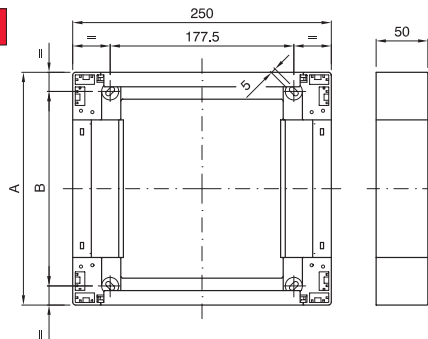
	A
13M	225
26M	350
39M	475
52M	600

BACK-MOUNTING BOX AND BLANK METAL DOOR FOR FLUSH-MOUNTING INSTALLATIONS



	Code	Dimensions	Fixing
		A	B
BACK-MOUNTING BOX	GW 40 552		480
	GW 40 553		610
	GW 40 554		730
	GW 40 555		860
Solid door	GW 40 557	540	
	GW 40 558	670	
	GW 40 559	790	
	GW 40 560	920	

KIT OF MODULAR SPACERS FOR ENCLOSURES, BASES, CONTAINERS AND SUBSCRIBER BOARDS



	Code	Dimensions	Fixing
		A	B
13M	GW 40 516	225	188
26M	GW 40 517	350	313
39M	GW 40 518	475	438
52M	GW 40 519	600	563

ENCLOSURES AND DISTRIBUTION BOARDS FOR SPECIFIC STANDARDS

40 CDe - Surface-mounting enclosures - British standard

TECHNICAL CHARACTERISTICS

Standard: BS EN 60439-1; BS EN 60439-3

Degree of protection: IP30

Protection against indirect contact: double insulation - (•)

Installation temperature: max. +60°C; min. -25°C

Material: technopolymer GW PLAST

Impact resistance: IK 05

Heat resistance: thermo-pressure with ball 70°C

Resistance to abnormal heat and fire: Glow wire test 650°C

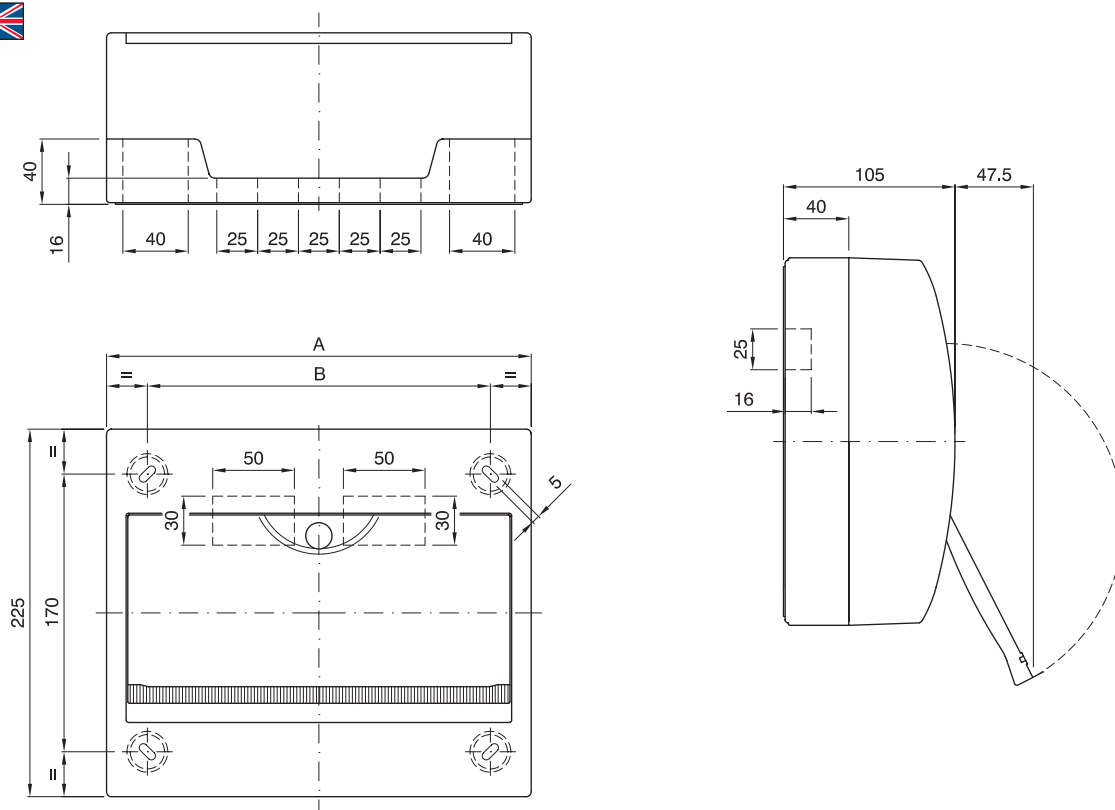
(•) Complete double insulation, in accordance with EN 61140 Standard, obtainable with screwcaps (GW 44 622 or GW 44 623) or resin fixing brackets (GW 44 621).

BEHAVIOUR WITH CHEMICAL AND ATMOSPHERIC AGENTS

Saline solution	Acids		Bases		Solvents				Mineral oil	UV rays
	Concentrated	Diluted	Concentrated	Diluted	Hexane	Benzol	Acetone	Ethyl alcohol		
Resistant	Not resistant	Limited resistance	Limited resistance	Not resistant	Limited resistance	Not resistant	Not resistant	Limited resistance	Limited resistance	Resistant

Dimension tables

ENCLOSURES SUITABLE FOR HOUSING TERMINAL BLOCKS AND COMB FOR CONNECTING MODULAR DEVICES



	Code	Dimensions		Fixing	Input types		
		A	B		25 x 16	40 x 40	50 x 30
4M	GW 40 841	150	100	4	4	2	
6M	GW 40 842	190	140	6	4	2	
10M	GW 40 843	260	210	12	4	2	
14M	GW 40 844	330	280	16	4	2	
18M	GW 40 845	425	375	24	4	4	


ENCLOSURES AND DISTRIBUTION BOARDS FOR SPECIFIC STANDARDS

Installation of the Consumer Units

The Consumer Units of the 40 CDe range must be installed by skilled personnel in compliance with their intended use and with the Standards and laws in force (including IEE standards related to wiring). The Consumer Units are designed for "indoor use" and may be installed at an altitude no higher than 2,000 metres, in a clean, dry environment with a temperature between -5°C and 40°C.

In the event of the side-by-side installation of several one-way switches, we recommended that such one-way switches are not used continuously at their rated power for more than one hour. You are advised to apply a use factor equal to about 70% in the event of continuous use. The total output load must not exceed the rated current of the Consumer Unit.

40 CDe - SHELLS FOR CONSUMER UNITS

TECHNICAL DATA AND REFERENCE STANDARDS									
Product	Reference Standard	Type of installation	Degree of protection	Impact resistance	Protection against indirect contacts	Installation temperature		Heat resistance	Resistance to abnormal heat and fire
						min. (°C)	max. (°C)	Thermo-pressure with ball (°C)	Glow wire test (°C)
40CDe	BS EN 60439-1 BS EN 60439-3	Surface-mounting	IP30	IK 05		-25	+60	70	650

MT60 - MINIATURE CIRCUIT BREAKERS

TECHNICAL DATA AND REFERENCE STANDARDS									
Product	Reference Standard	Insulation voltage Ui (V)	Rated frequency (Hz)	Rated breaking capacity (kA)	Tripping characteristic	Rated current In (A)	No. poles	No. poles per module EN 50022	Reference temperature (°C)
MT60	EN 60898-1 EN 60947-2	500	50-60	6 10	B	6 - 63	1P	1	30

CAPACITY OF TERMINALS AND INSTALLABLE SECTIONS							
Product	Capacity of terminals No. x (mm ²)				Connectable section (mm ²)		
	Rigid cables		Flexible cables		Double connection	Triple connection	
MT 60	Max 1x35 - 2x16 - 3x10	Min. 1 x 1	Max 1x25 - 2x10 - 3x6	Min. 1 x 1	10-16	6-10	

SWITCH DISCONNECTORS

Non-automatic circuit breaker with quick and simultaneous pole opening device.

TECHNICAL DATA AND REFERENCE STANDARDS									
Product	Reference Standard	Category of use	No. modules EN 50022	Insulation voltage (V)	Rated operating current (A)	Capacity of terminals		Degree of protection	
						min (mm ²)	max (mm ²)	Front	Rear
2P	EN 60947-3	AC22	2	500	63 100	1.5	50	IP XXD	IP XXB

RESIDUAL CURRENT CIRCUIT BREAKERS

Two-pole and four-pole RCCBs without current surge release, monobloc and free tripping.

Available in AC class (for sine-wave alternating residual current only) in the instantaneous version.

TECHNICAL DATA AND REFERENCE STANDARDS											
Residual current circuit breaker	Reference Standard	No. modules EN 50022	No. poles	Rated voltage (V)	Rated residual current (mA)	Breaking capacity and residual current circuit breaker closure		Capacity of terminals		Degree of protection	
						I _{Δm} (A)	I _{Δc} (kA)	min (mm ²)	Max ⁽¹⁾ (mm ²)	Front	Rear
2P 25 - 80A	EN 61008-1 EN 61008-2-1 EN 61543	2	2P	230	30	10	6	1	25 (35)	IP20	IP40

Note: (1) the data item in brackets refers to rigid conductors.